

Shunts

SHUNTS

Voltage drop: 60 mV ± 0,5 %

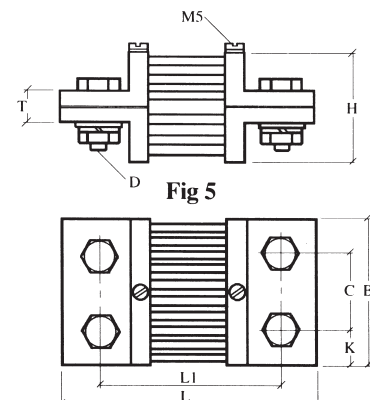
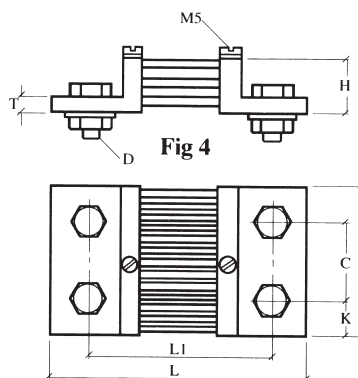
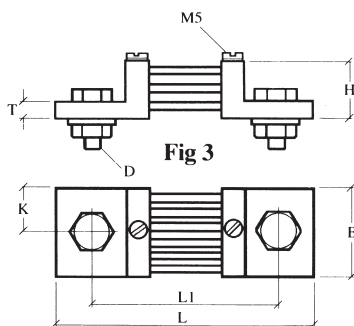
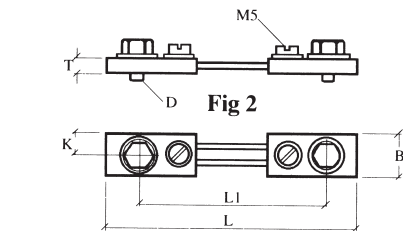
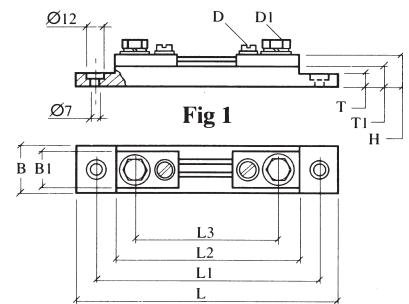
Material: Manganin resistance rods, copper bars

Surface treatment: Nickel plated

Shunts with voltage drops 75, 100, 120, 150 and 300 mV are available as option.

Current A	Art No.	Fig	Dimensions											
			L	L1	L2	L3	B	BI	T	T1	H	D	D1	
5	6105	1	140	115	95	78	30	20	8	16	25	M5	M5	KJ-3
10	6106	1	140	115	95	78	30	20	8	16	25	M5	M5	KJ-3
15	6107	1	140	115	95	78	30	20	8	16	25	M5	M5	KJ-3
20	6108	1	140	115	95	78	30	20	8	16	25	M5	M5	KJ-3
25	6109	1	140	115	95	78	30	20	8	16	25	M5	M5	KJ-

Current	Art No.	Fig	L	L1	B	C	K	H	T	D
30	6110	2	95	78	20	—	10	—	8	M8
40	6111	2	95	78	20	—	10	—	8	M8
50	6112	2	95	78	20	—	10	—	8	M8
60	6113	2	95	78	20	—	10	—	8	M8
75	6114	2	95	78	20	—	10	—	8	M8
100	6115	2	95	78	20	—	10	—	8	M8
150	6116	2	95	78	20	—	10	—	8	M8
200	6117	3	145	105	30	—	15	30	10	M12
250	6118	3	145	105	30	—	15	30	10	M12
300	6119	3	145	105	30	—	15	30	10	M12
400	6120	3	145	105	40	—	20	30	10	M16
500	6121	3	145	105	40	—	20	30	10	M16
600	6122	3	145	105	40	—	20	30	10	M16
700	6123	3	145	105	50	—	25	30	10	M16
800	6124	3	145	105	50	—	25	30	10	M16
900	6125	3	165	115	60	—	30	40	10	M20
1000	6126	3	165	115	60	—	30	40	10	M20
1200	6132	4	165	115	90	48	21	40	10	M16
1500	6127	4	165	115	90	48	21	40	10	M16
2000	6128	4	165	115	90	48	21	40	10	M16
2500	6129	4	165	115	120	60	30	40	10	M20
3000	6130	4	165	115	120	60	30	40	10	M20
4000	6131	4	165	115	120	60	30	40	10	M20
6000	6133	5	165	115	120	60	30	80	20	M20
8000	6134	5	165	115	120	60	30	80	20	M20
10000	6135	5	185	135	154	2x52	25	140	30	M20
12000	6136	5	185	135	154	2x52	25	140	30	M20
15000	6137	5	185	135	206	2x52	25	140	30	M20



Cewe Instrument AB

Box 1006 • SE-611 29 Nyköping • SWEDEN

Tel: +46 155 775 00 • Fax: +46 155 775 97

e-post: info@ceweinstrument.se • www.ceweinstrument.com

